



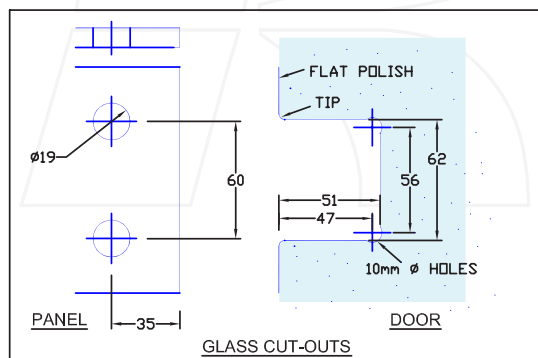
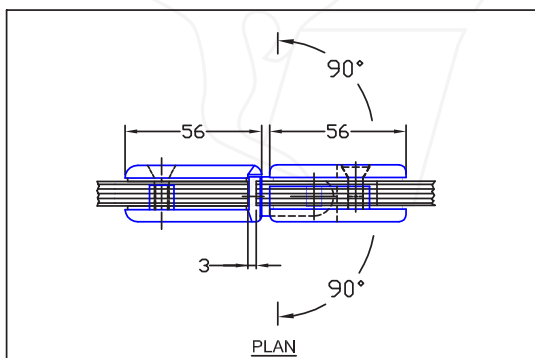
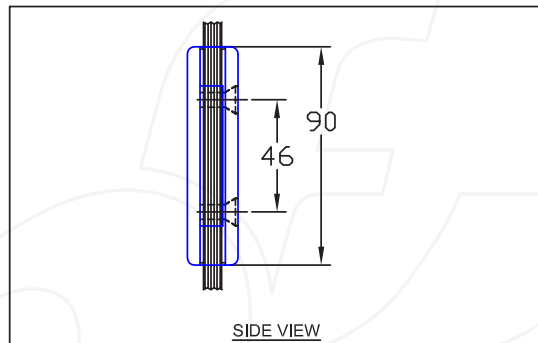
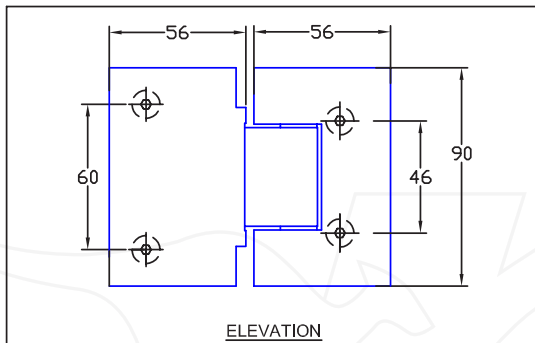
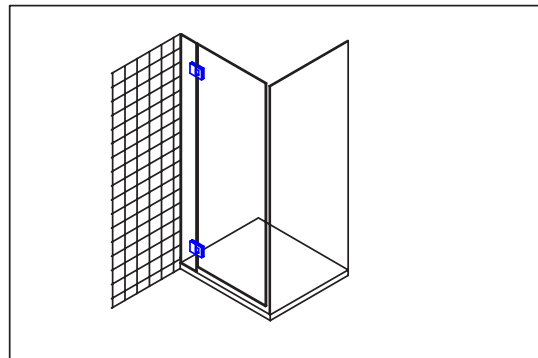
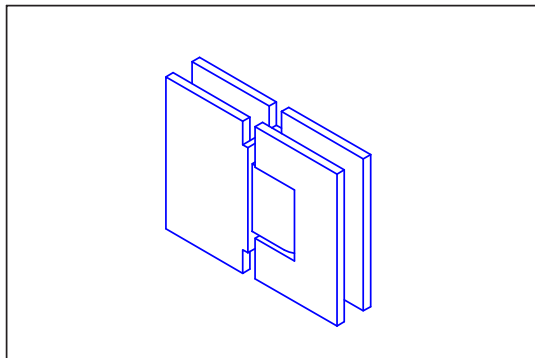
**P1 Frameless Glass Door Hinge**  
**Glass to Glass 180° 19-SH/040**

High quality chrome plating that will outlast the shower itself.

One-off custom machined hinges, modified closing angles and special hinge configurations are all possible with minimal fuss.

Complimented by a full range of matching accessories.

Suitable for glass 10mm - 12mm



19-SH/040 Glass to glass hinge to mount a door to a fixed glass side panel that runs on a 180 degree plane. The hinge is secured to the panel with two holes in the glass instead of a cut-out. This results in a simpler and cheaper glass preparation. Additional advantages are better holding capabilities, and a cost effective hinge.



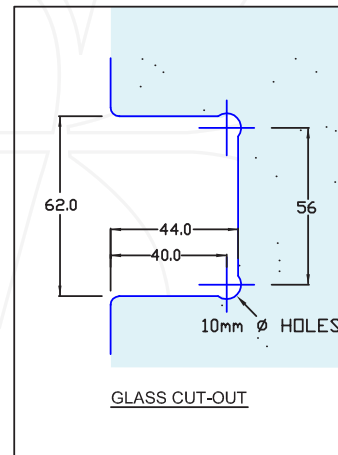
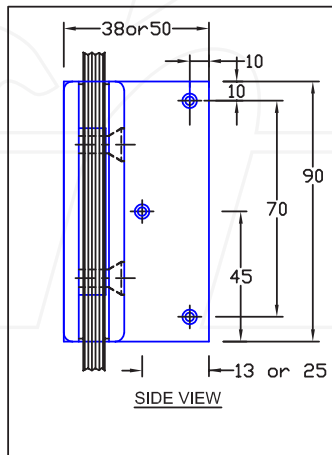
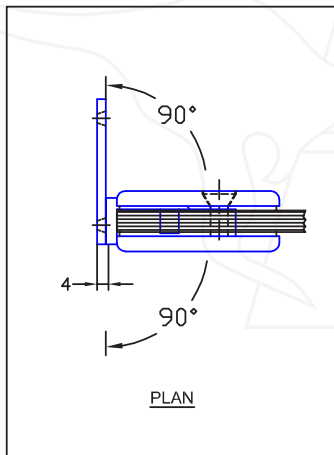
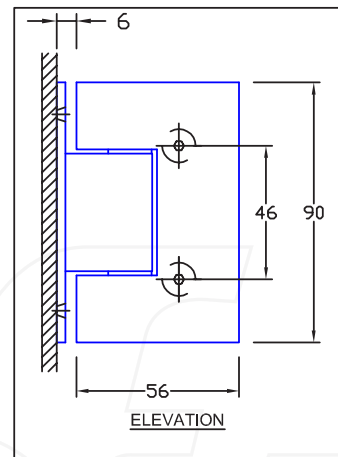
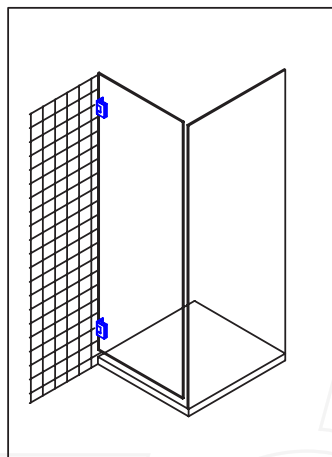
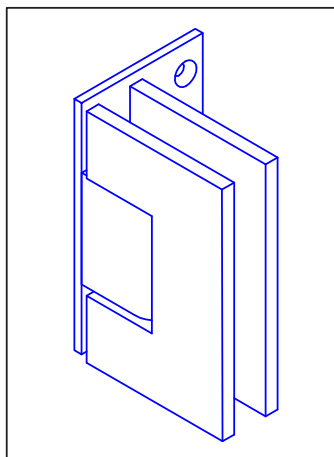
**P1 Frameless Glass Door Hinge  
Wall to Glass Offset Back Plate 90° 19-SH/041**

High quality chrome plating that will outlast the shower itself.

One-off custom machined hinges, modified closing angles and special hinge configurations are all possible with minimal fuss.

Complimented by a full range of matching accessories.

Suitable for glass 10mm - 12mm



19-SH/041 Wall to glass side mounted hinge, with two back plate options. 38mm and 50mm.



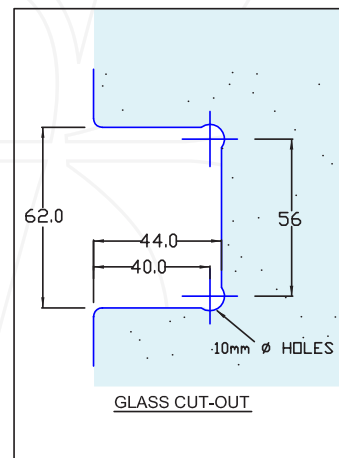
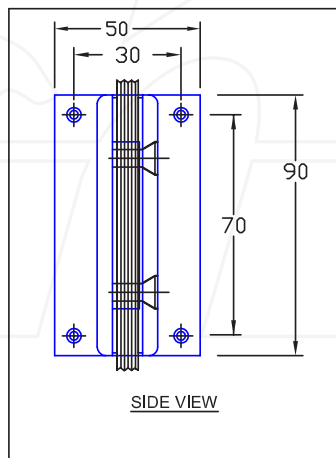
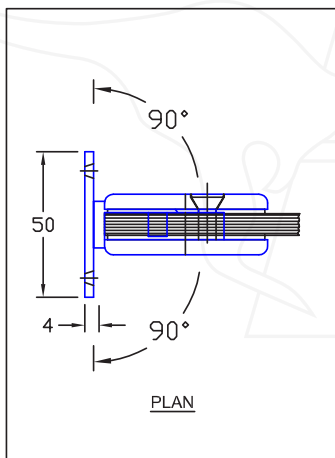
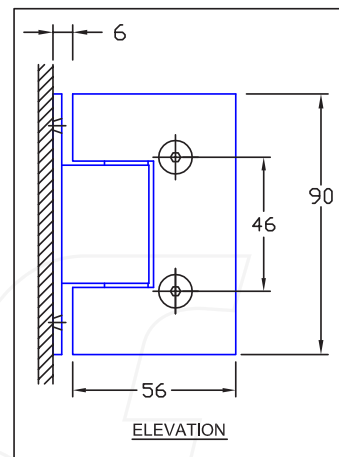
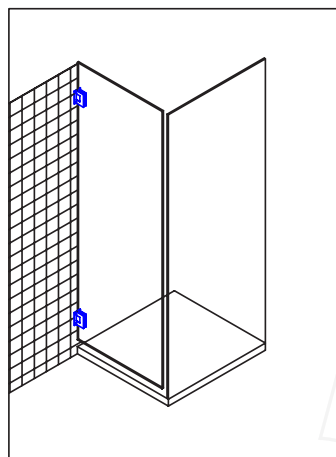
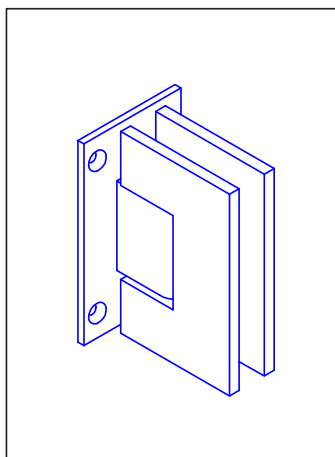
**P1 Frameless Glass Door Hinge  
Wall to Glass Full Back Plate 90° 19-SH/042**

High quality chrome plating that will outlast the shower itself.

One-off custom machined hinges, modified closing angles and special hinge configurations are all possible with minimal fuss.

Complimented by a full range of matching accessories.

Suitable for glass 10mm - 12mm



19-SH/042 Wall to glass center mounted hinge.



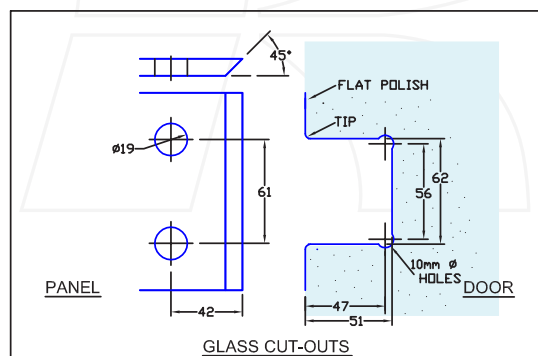
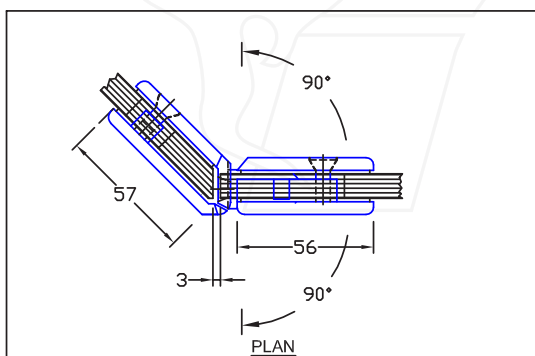
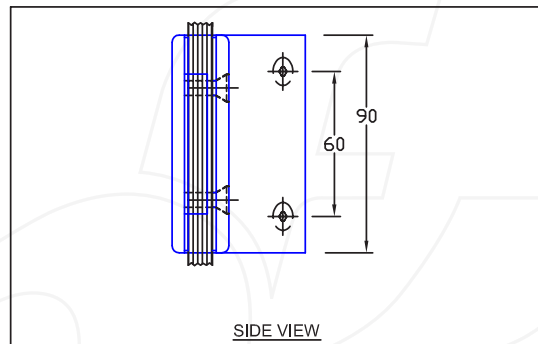
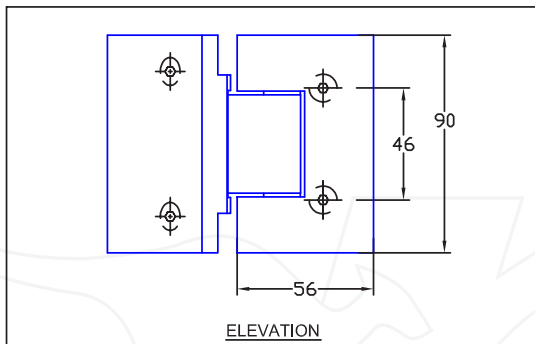
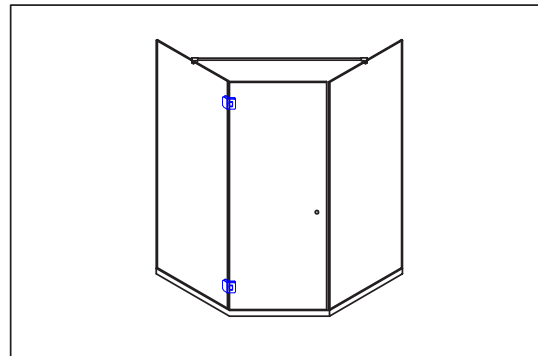
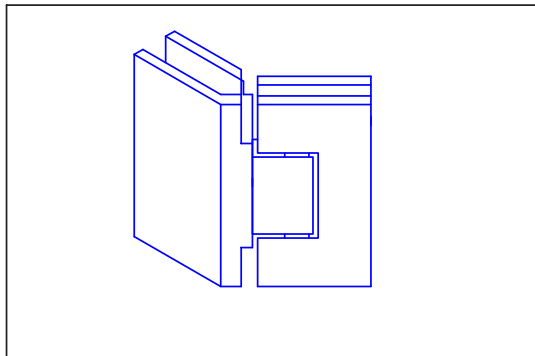
### P1 Frameless Glass Door Hinge Glass to Glass 135° 19-SH/043

High quality chrome plating that will outlast the shower itself.

One-off custom machined hinges, modified closing angles and special hinge configurations are all possible with minimal fuss.

Complimented by a full range of matching accessories.

Suitable for glass 10mm - 12mm



19-SH/043 Glass to glass hinge to mount a door to a fixed glass side panel that runs at a 135 degree angle. The hinge is secured to the panel with two holes in the glass instead of a cut-out. This results in a simpler and cheaper glass preparation. Additional advantages are better holding capabilities, and a cost effective hinge.



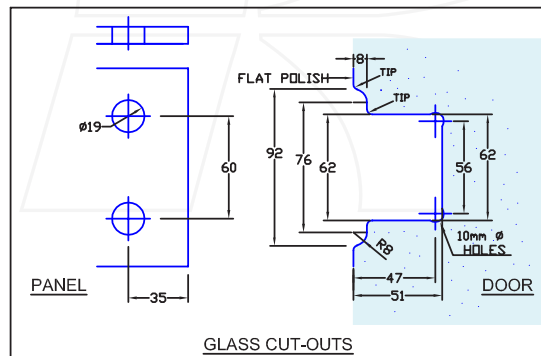
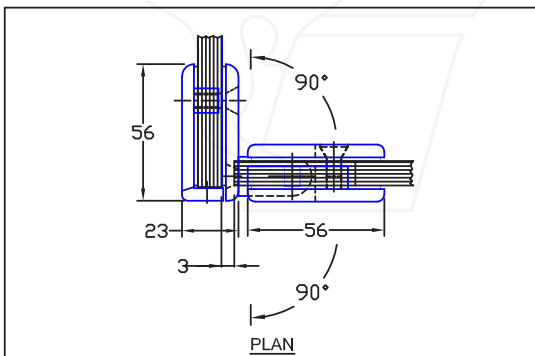
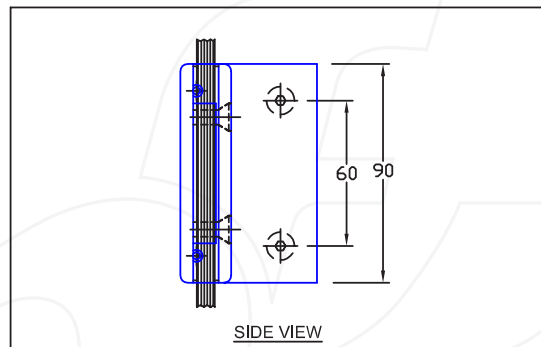
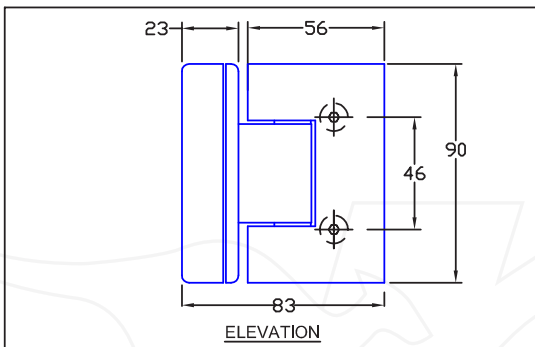
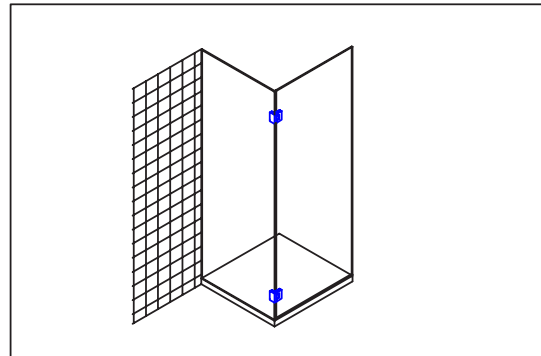
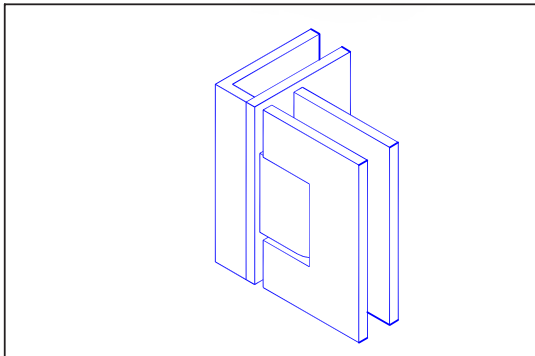
**P1 Frameless Glass Door Hinge  
Glass to Glass 90° 19-SH/044**

High quality chrome plating that will outlast the shower itself.

One-off custom machined hinges, modified closing angles and special hinge configurations are all possible with minimal fuss.

Complimented by a full range of matching accessories.

Suitable for glass 10mm - 12mm



19-SH/044 Glass to glass hinge to mount a door to a fixed glass side panel that runs on a 90 degree angle. The hinge is secured to the panel with two holes in the glass instead of a cut-out. This results in a simpler and cheaper glass preparation. Additional advantages are better holding capabilities, and a cost effective hinge.