

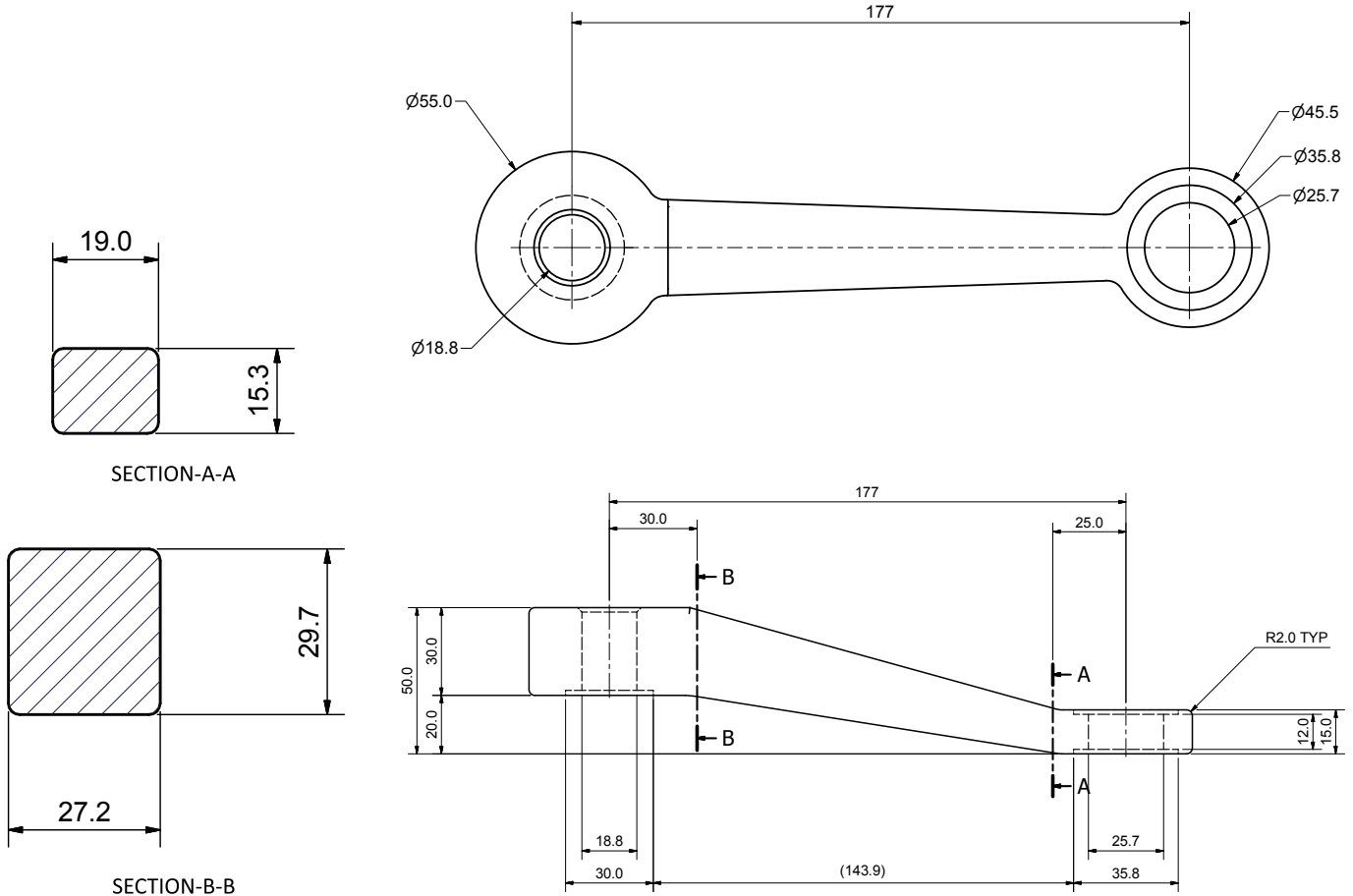
### Spider Fitting Heavy Duty 1 Arm ( Long )

NFK's VITRO 250 face fixed spiders are extremely strong and suitable for high load facades and canopies.

High quality finish in either satin or mirror polish 316 stainless steel.

NFK offers a wide range of Point fixing options for this product.

Technical guidance or full engineering is available.



Description	Code
Spider Fitting, Heavy Duty Single Arm, Satin Finish	41-2002.01.77
Spider Fitting, Heavy Duty Single Arm, Polished Finish	41-2002.01.99



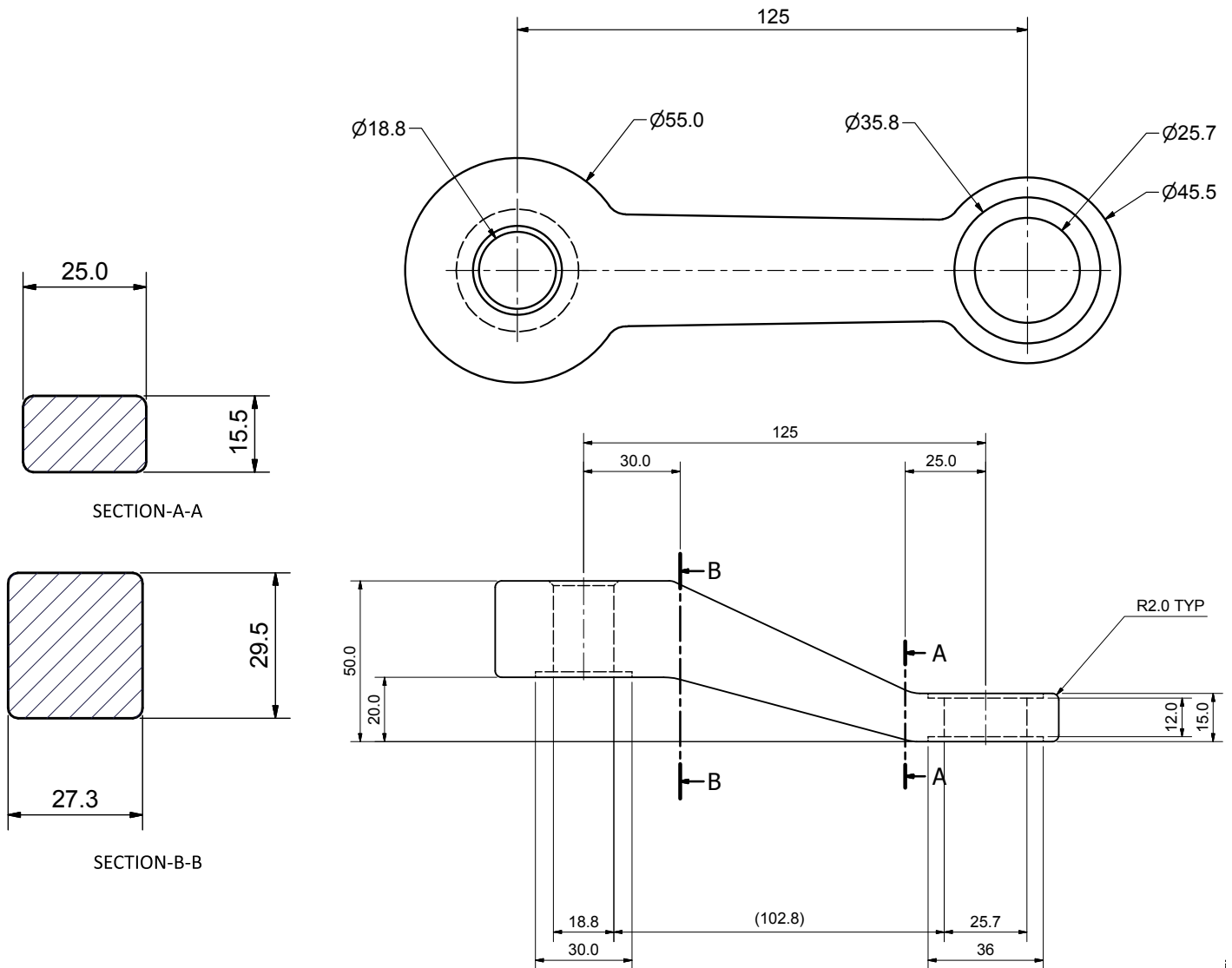
### Spider Fitting Heavy Duty 1 Arm ( Short )

NFK's VITRO 250 face fixed spiders are extremely strong and suitable for high load facades and canopies.

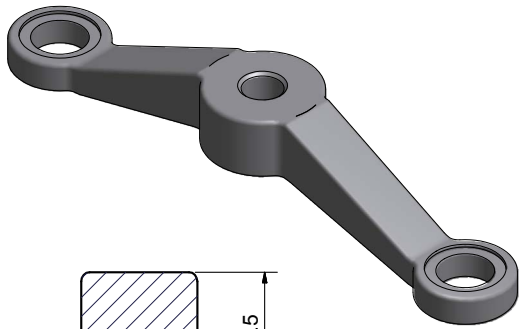
High quality finish in either satin or mirror polish 316 stainless steel.

NFK offers a wide range of Point fixing options for this product.

Technical guidance or full engineering is available.



Description	Code
Spider Fitting, Heavy Duty Single Arm, Short, Satin Finish	41-2002.02.77
Spider Fitting, Heavy Duty Single Arm, Short, Polished Finish	41-2002.02.99



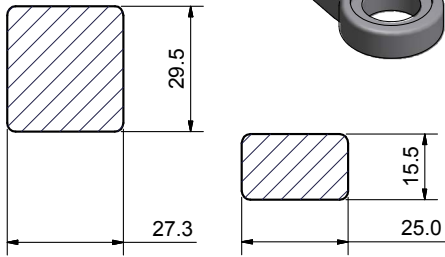
### Spider Fitting Heavy Duty 2 Arm 180°

NFK's VITRO 250 face fixed spiders are extremely strong and suitable for high load facades and canopies.

High quality finish in either satin or mirror polish 316 stainless steel.

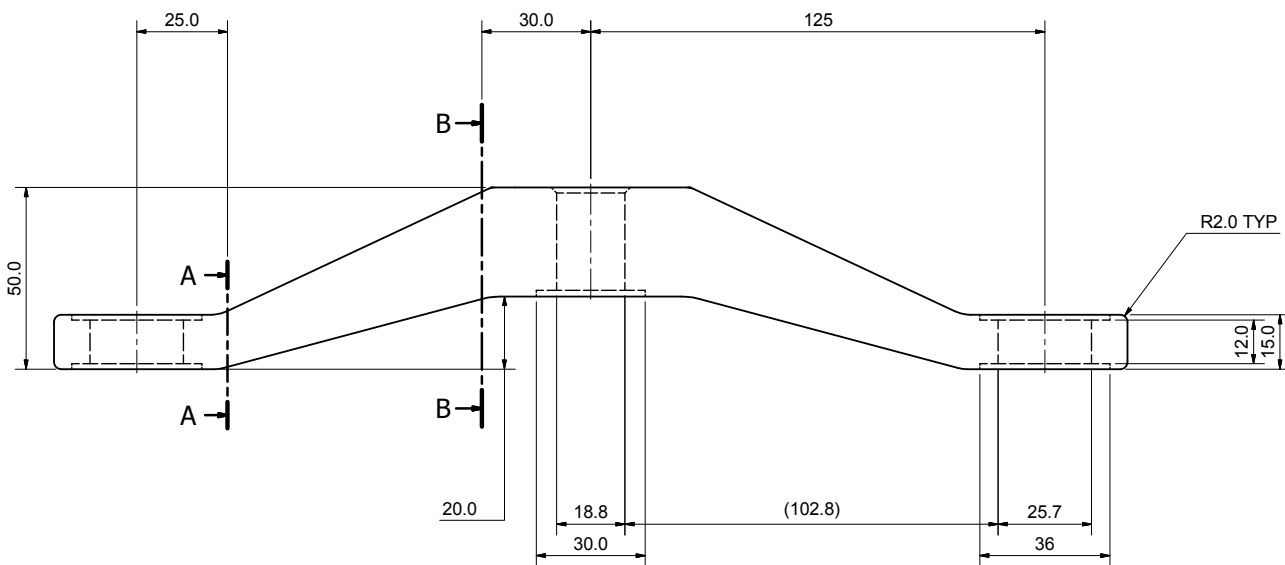
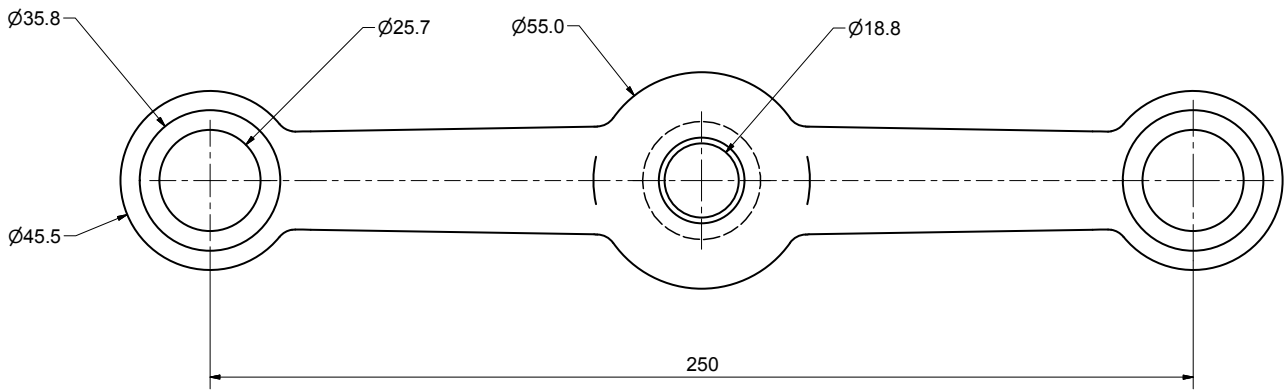
NFK offers a wide range of Point fixing options for this product.

Technical guidance or full engineering is available.

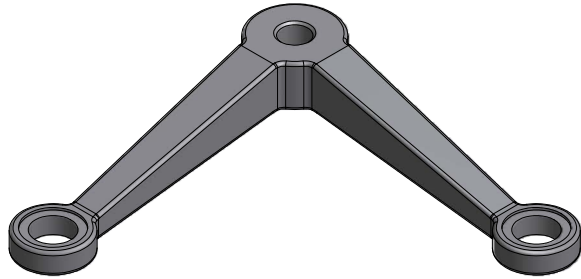


SECTION-B-B

SECTION-A-A



Description	Code
Spider Fitting 2 Arm 180° Heavy Duty, Satin Finish	41-2002.03.77
Spider Fitting 2 Arm 180° Heavy Duty, Polished Finish	41.2002.03.99



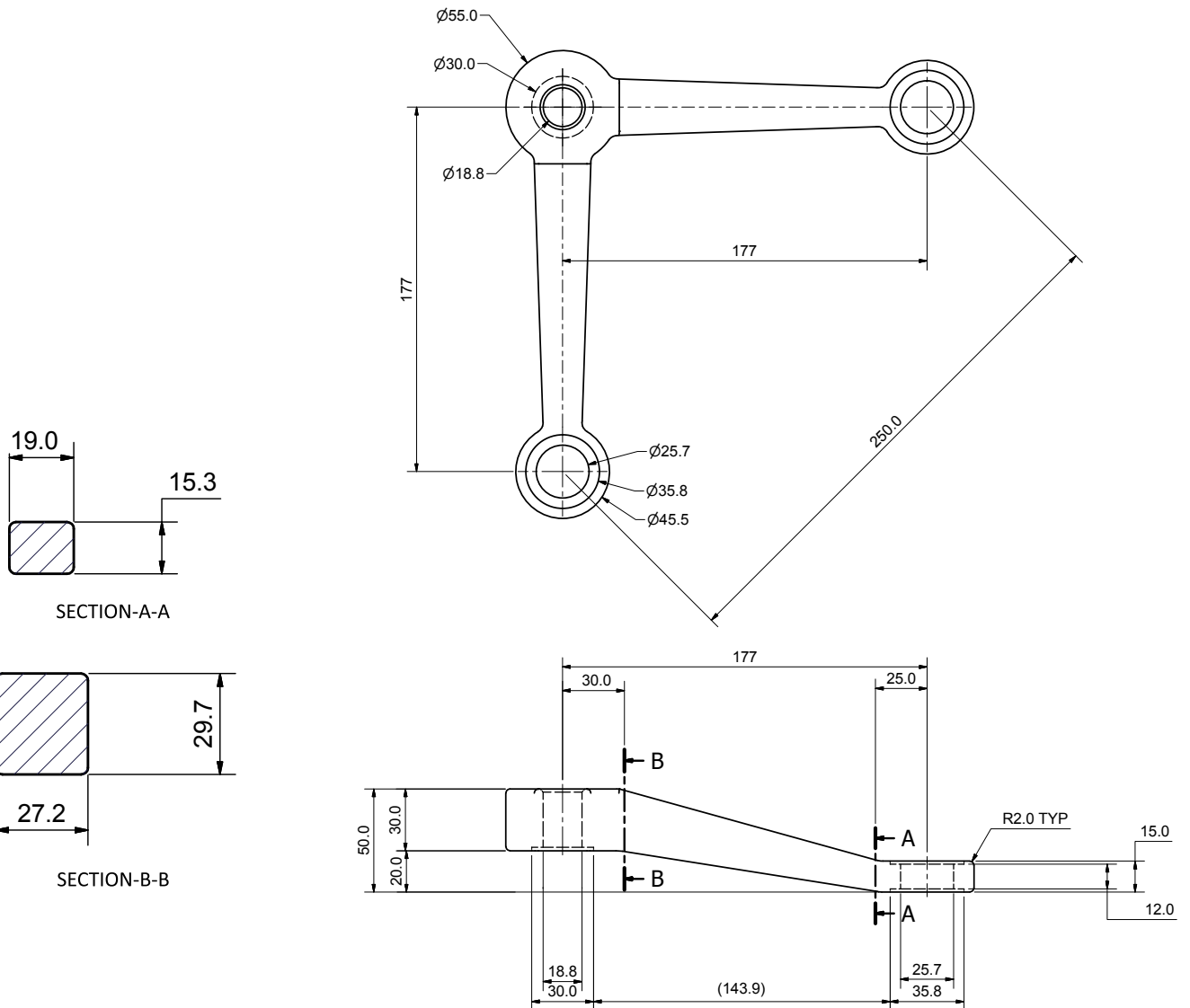
### Spider Fitting Heavy Duty 2 Arm 90°

NFK's VITRO 250 face fixed spiders are extremely strong and suitable for high load facades and canopies.

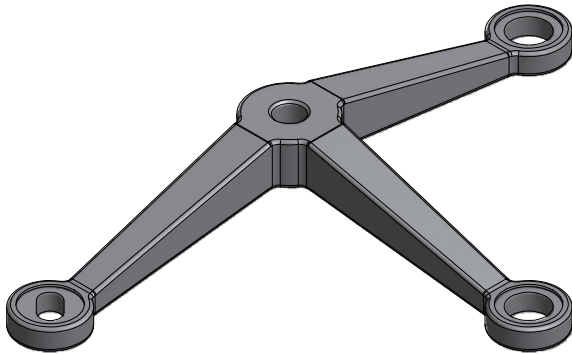
High quality finish in either satin or mirror polish 316 stainless steel.

NFK offers a wide range of Point fixing options for this product.

Technical guidance or full engineering is available.



Description	Code
Spider Fitting 2 Arm 90° Heavy Duty, Satin Finish	41-2002.04.77
Spider Fitting 2 Arm 90° Heavy Duty, Polished Finish	41-2002.04.99



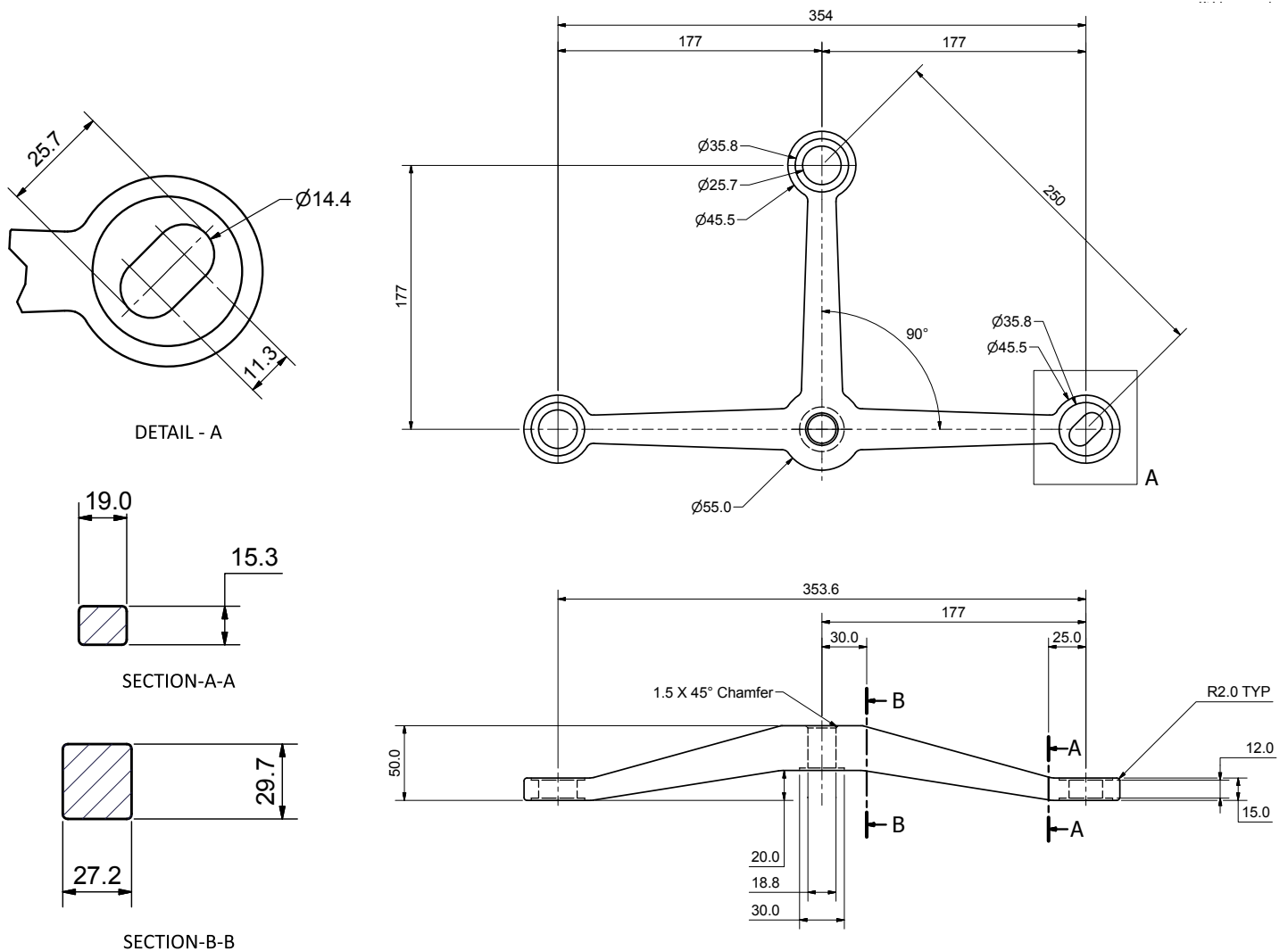
### Spider Fitting Heavy Duty 3 Arm 90°

NFK's VITRO 250 face fixed spiders are extremely strong and suitable for high load facades and canopies.

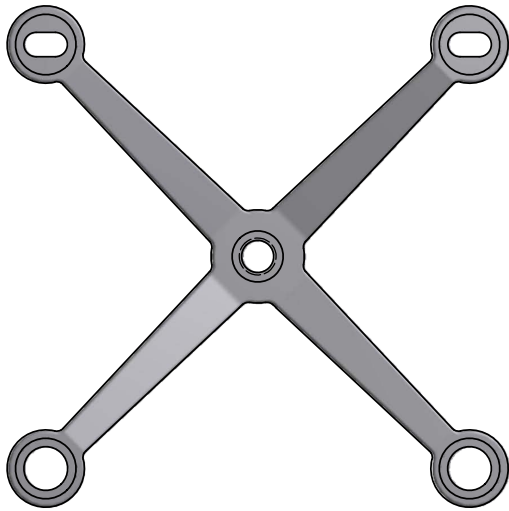
High quality finish in either satin or mirror polish 316 stainless steel.

NFK offers a wide range of Point fixing options for this product.

Technical guidance or full engineering is available.



Description	Code
Spider Fitting 3 Arm 90° Heavy Duty, Satin Finish	41-2002.05.77
Spider Fitting 3 Arm 90° Heavy Duty, Polished Finish	41-2002.05.99



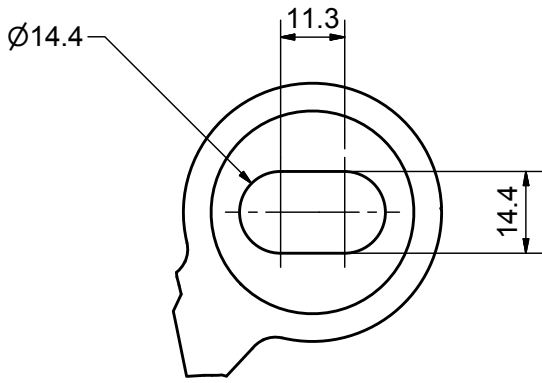
### Spider Fitting Heavy Duty 4 Arm

Information NFK's VITRO 250 face fixed spiders are extremely strong and suitable for high load facades and canopies.

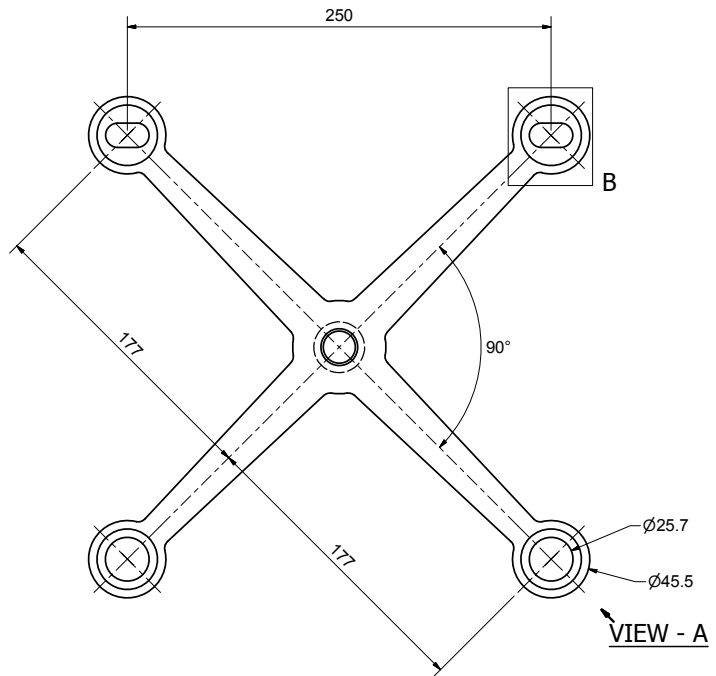
High quality finish in either satin or mirror polish 316 stainless steel.

NFK offers a wide range of Point fixing options for this product.

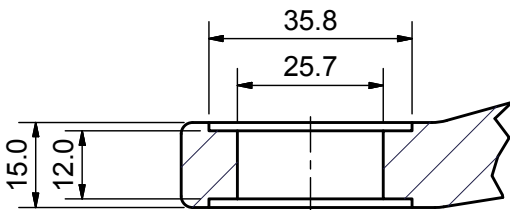
Technical guidance or full engineering is available.



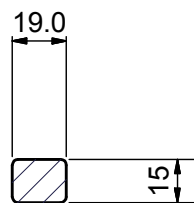
DETAIL - B



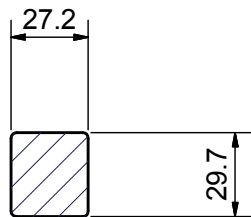
VIEW - A



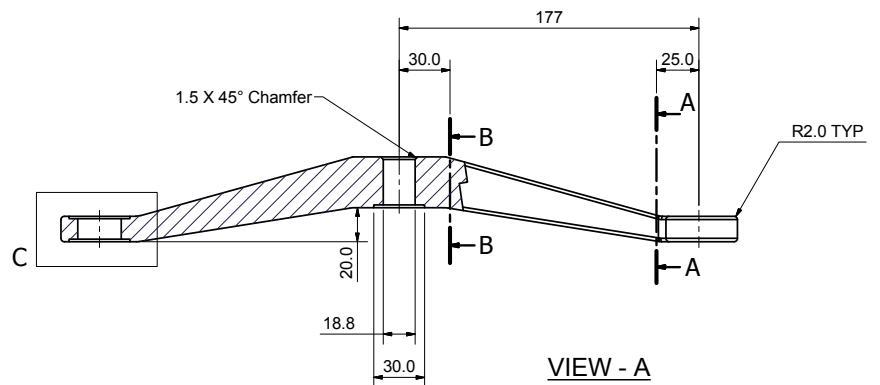
DETAIL - C



SECTION-A-A



SECTION-B-B



VIEW - A

Description	Code
Spider Fitting 4 Arm, Heavy Duty, Satin Finish	41-2002.06.77
Spider Fitting 4 Arm, Heavy Duty, Polished Finish	41-2002.06.99